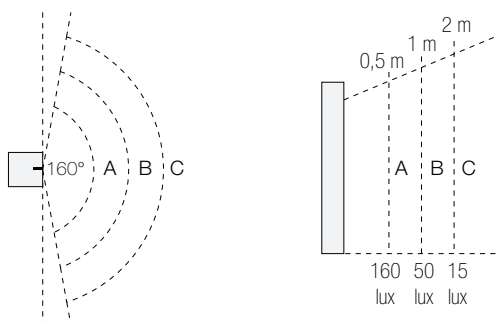




### Lighting Engineering Diagram



\* Geometry and colour of the stone can change the lighting engineering values.



### Technical Features

Power supply	24 V Dc
Light levels	1
Total consumption	6 W
Luminous flux	410 Lm
Energy rating	A+
CCT- Color temperature chart	3.500 °K
Light source duration	30.000 h
Cable length	2 m
IP Protection rating	IP 68
Recommended input	NPF-40-24
* Indicative weight	10-12 kg
* Indicative dimensions	8x8-10x62 cm
Pcs / pallet EUR	10 pcs/wooden box (max 5 overlays = 60pcs)

\* Values merely indicative due to the nature of the product.  
 All models are different in size and weight.\*\*Power Supply must be dimensionated with the summary of consumption (Watts) of all pieces.  
 Example n°5 Stake \* 5W = 25W \* + 20% security reserve = 30 Watts = NPF-40-24

### Description en

Vertical filiform lighting system in natural stone with LED technology for outdoor use. Direct fixing on the ground with four pickets. The Stake product has a uniform light source with directional emission. The internal structure is in stainless steel Aisi 316L and the power cable is in Neoprene with a pre-wired waterproof connection joint. This floor lamp is used for: Lighting of flower beds, public parks, pedestrian and cycle paths, outdoor living areas in residential environments and hotels. Standard Textures: Black Pillar Slate, Trani Marble. Further textures upon request.

### Descrizione it

Sistema di illuminazione verticale filiforme con tecnologia Led in pietra naturale per uso esterno. Fissaggio diretto su terreno con l'ausilio di quattro picchetti. Il prodotto Stake presenta una fonte luminosa uniforme con emissione direzionata. Struttura centrale in acciaio inox Aisi 316L e cavo di alimentazione in neoprene con connettore stagno precablato. Le applicazioni per questa lampada da terra sono: illuminazione di aiuole, percorsi ciclo-pedonali, zone living outdoor in ambienti residenziali e strutture ricettive. Texture standard: Ardesia e Marmo Trani. Altre texture su richiesta.

### Description fr

Système d'éclairage verticale et filiforme à LED en pierre naturelle pour extérieur. Fixation directe au sol à l'aide de quatre piquets. Le modèle Stake a une source lumineuse uniforme à émission directionnelle. La structure interne est en acier inoxydable Aisi 316L et le câble électrique est en Néoprène avec un connecteur étanche pré-câblé. L'utilisation de ce lampe de sol est: Éclairage des parterres de fleurs, des parcs publics, des voies piétonnes et cyclables, des espaces de vie extérieurs dans des environnements résidentiels et des hôtels. Textures standard: Ardoise, Marbre Trani. Autres textures sur demande.

### Beschreibung de

Vertikales lineares Beleuchtungssystem aus Naturstein mit LED-Technologie für den Außenbereich. Direkte Befestigung auf dem Boden mit vier Nägeln. Das Produkt Stake hat eine einheitliche Lichtquelle mit gerichteter Abstrahlung. Die innere Struktur besteht aus Edelstahl Aisi 316L, das Stromkabel aus Neopren mit vorverdrahtetem wasserdichtem Anschlussstecker. Diese Stehleuchte wird für die Beleuchtung von Blumenbeeten, Parkanlagen, Fußgänger- und Fahrradwege, Außenbereichen in Wohngebieten und Hotels verwendet. Standard-Texture: Schiefer, Marmor Trani. Weitere Texturen auf Anfrage.